

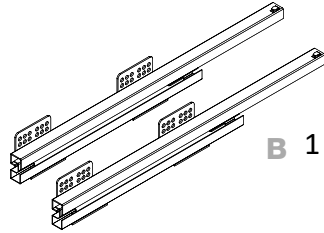
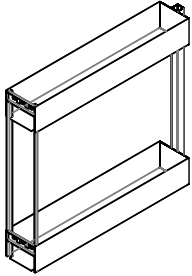
1 COMPONENTS

A1 4 pcs- Mod. 150

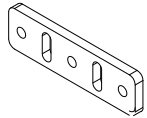


B1 16 pcs
M4*16

A
1 pc



B 1 set L



C 2 pcs



D 2 pcs
M4*6



E 2 pcs
M5*8

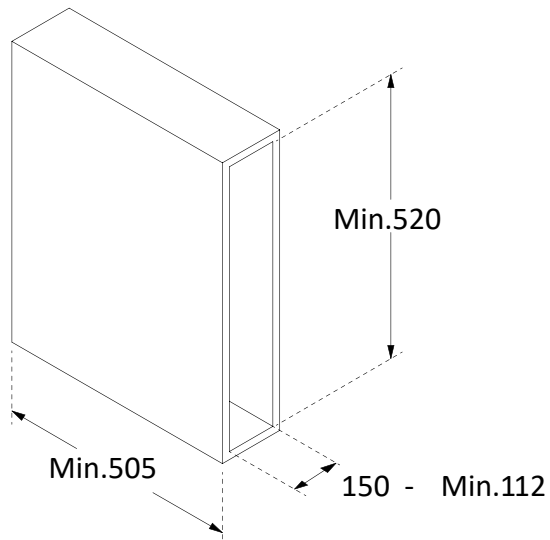


F 4 pcs
ST4*20

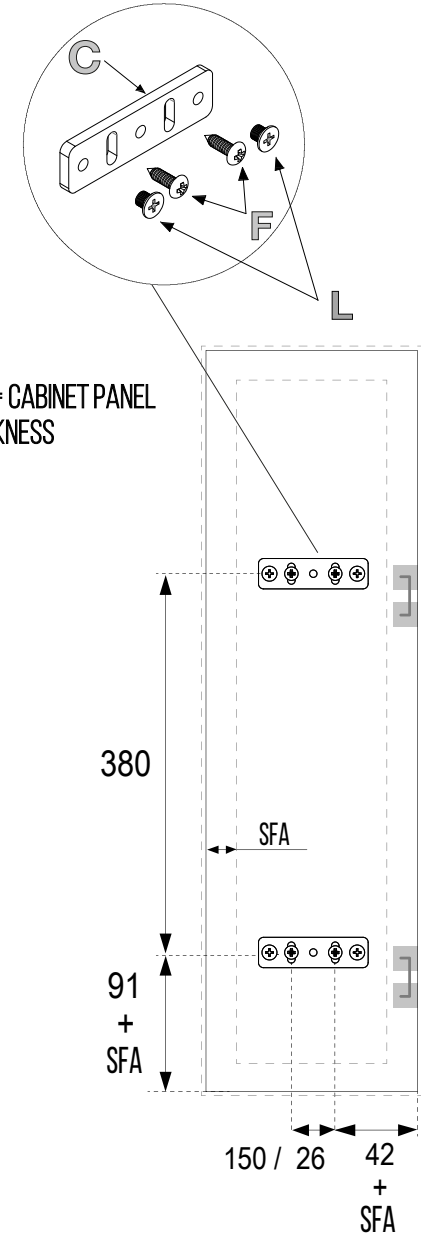
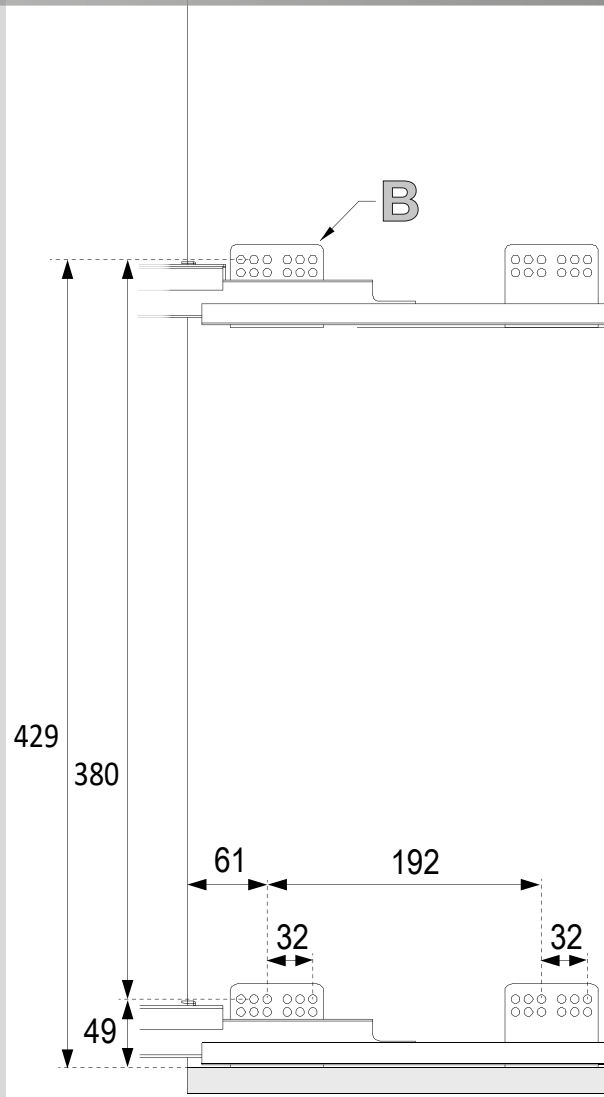


L 4 pcs
M5*6

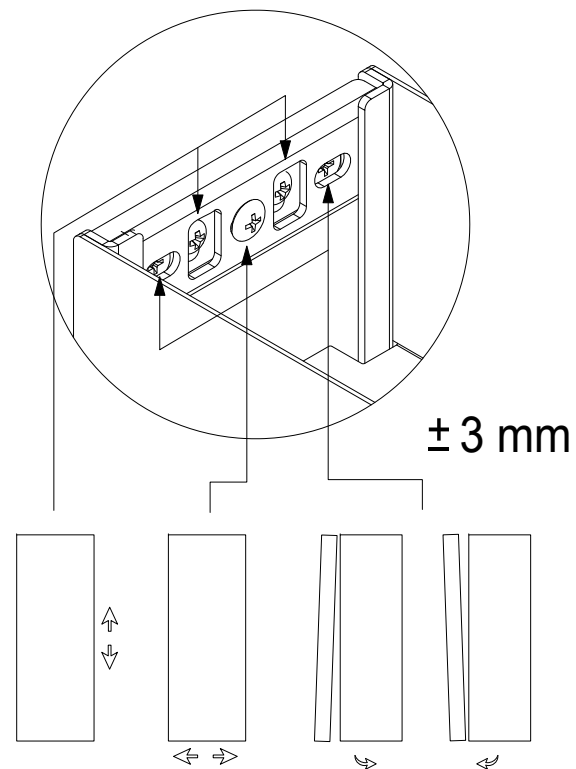
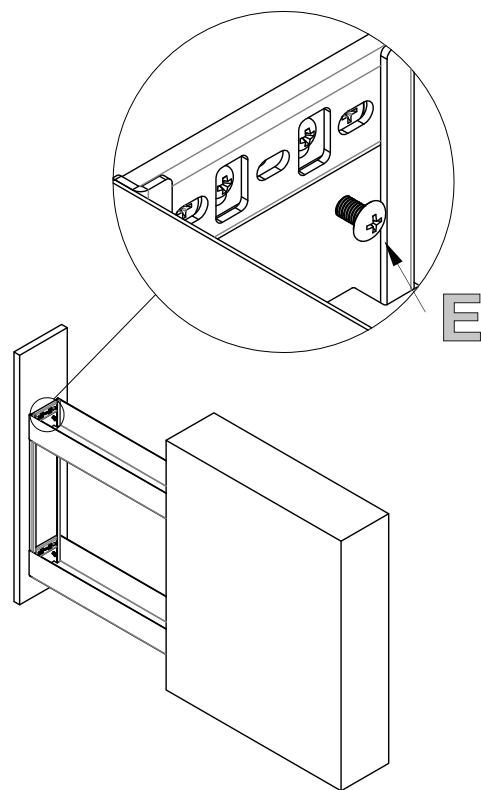
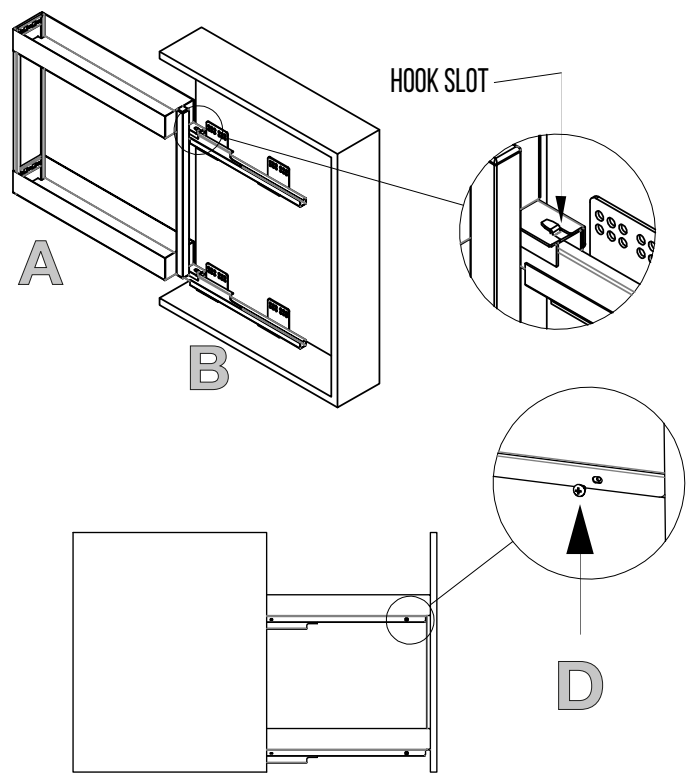
2 CABINET SIZE



3 INSTALLATION



INSTALLATION



TIGHTEN THE SCREWS SECURELY AFTER ADJUSTMENT..

